

SafAscent™ Wind Turbine Platform

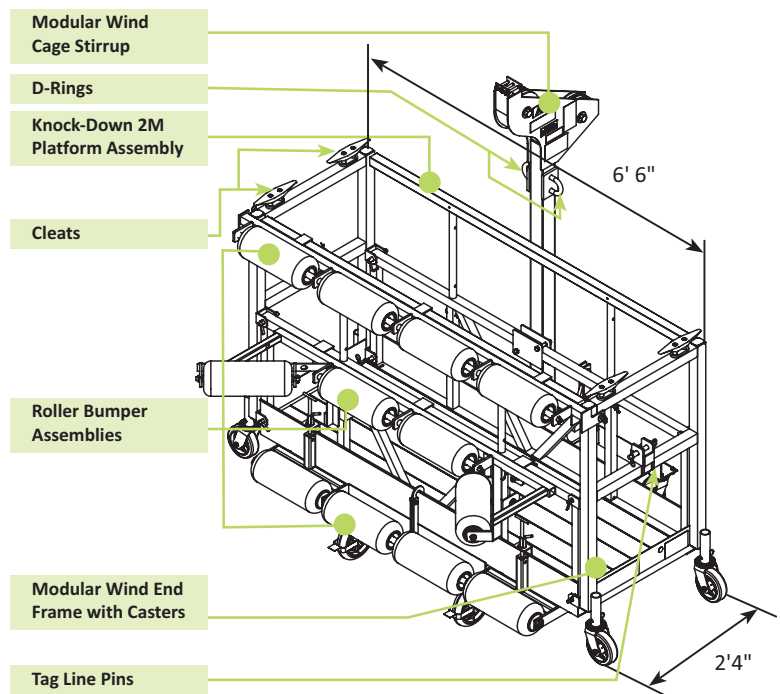
Technical Data Guide



WND

The SafAscent™ Wind Turbine Platform is specifically designed to provide access for performing maintenance on wind turbine blades and towers. Padded rollers are attached to a modular platform to enable unrestricted access to the tower exterior, from beneath the nacelle to the tip of the blade. SafAscent is available for either rental or sale.

- Two meter (6' 6"), aluminum, lightweight modular platform with handrail height that meets applicable safety standards
- Platform capacity of 500 lbs.
- Three (3) sets of gentle-padded roller systems protect blades and tower
- Removable tower-hugging roller system provides greater stability while performing maintenance and cleaning
- Heavy-duty aluminum end frames with tag line pins and cleats for easy attachment of control tower lines, blade wrap lines and ground control tag lines
- Steel wind cage stirrup provides greater strength and stability to the platform
- Casters included for trailer loading and unloading – easy jobsite assembly
- Upper D-Rings for platform recovery, if needed
- LE501SW Saturn electric, 220V, 1,000-lb. capacity, single-phase hoist
- Ascent rate of 35 feet per minute

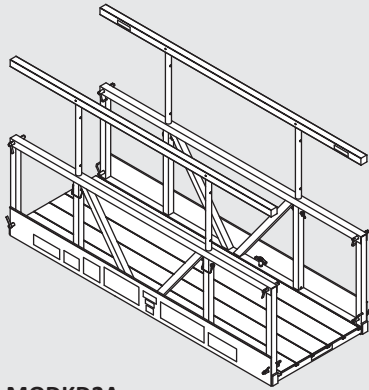


SafAscent™
Wind Turbine Platform

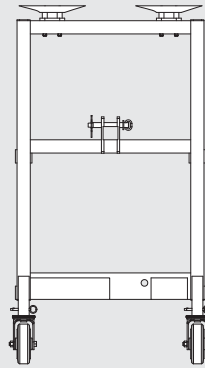
SAFWAY®

Components

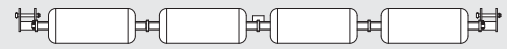
Part No.	Description	Weight
MODKD2A	Knock-Down 2M Assembly	95 lbs.
MODWEF	Modular Wind End Frame with Casters	29 lbs.
MODWWS	Modular Wind Cage Stirrup	214 lbs.
WPRATOP	Top Roller Bumper Assembly	28 lbs.
WPRAMID	Middle Roller Bumper Assembly	22 lbs.
WPRABOT	Bottom Roller Bumper Assembly	31 lbs.
LE501SW	Hoist 1000-lb. Capacity, 220V, Single-phase with Gear Box	75 lbs.
ETH35B	BlocStop® Overspeed Brake	10 lbs.



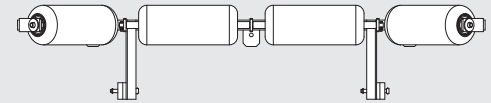
MODKD2A



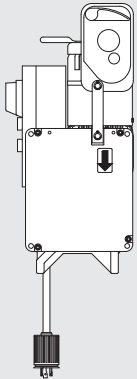
MODWEF



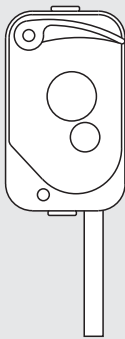
WPRATOP



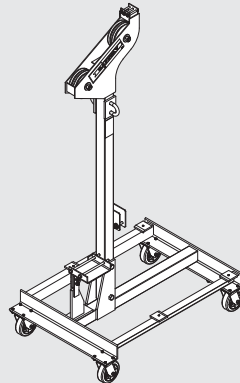
WPRAMID



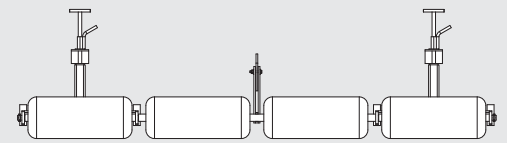
LE501SW



ETH35B



MODWWS



WPRABOT

All drawings on this sheet are for illustrative purposes only. This sheet is intended for general information purposes only. Because of the many variables which affect the performance of the product line, some of the information in this brochure may not apply. For specific applications, contact Safway Services.

NOTE: Erection, use, maintenance and disassembly must conform to current manufacturer's instructions as well as all federal, state, provincial and local regulations. Copies of complete Safety Guidelines for these and other products are available from Safway without charge.



Safway Services, LLC
Corporate Headquarters
N19 W24200 Riverwood Drive
Waukesha, WI 53188
Toll free: (800) 558-4772
Telephone: (262) 523-6500

Safway Services Canada, Inc.
11237 – 87 Avenue
Fort Saskatchewan, Alberta T8L 2S3 Canada
Toll free: (866) 842-4424
Telephone: (780) 992-1929



For a list of branch locations in the United States and Canada, visit our website at www.safway.com