



Two-Way Post Shore U-head Product Fact Sheet



Part No. & Description	PSU88TW Two-Way Screw Jack U-head
Weight	8.1 lbs.

Safway's Two-Way Post Shore U-head is versatile enough to fit a variety of beam sizes.

Features and Benefits

- **Longevity:** hot-dip galvanized
- **Greater versatility:** attach to the top of a 350DB (VFTP552147) post shore and/or the AS550 (VFTP463087) post shore using T-spring bolt (VFTA470804)
- **Easier assembly:** attach to the bottom of an AS550 post shore, which allows you to invert the post shore for easier access to the adjustment handle
- **Improved design:** position this U-head in two ways: for single 4" wide beam (butted) or for bypassing 4" wide beam applications
- **Note:** T-spring bolt (VFTA470804) not included

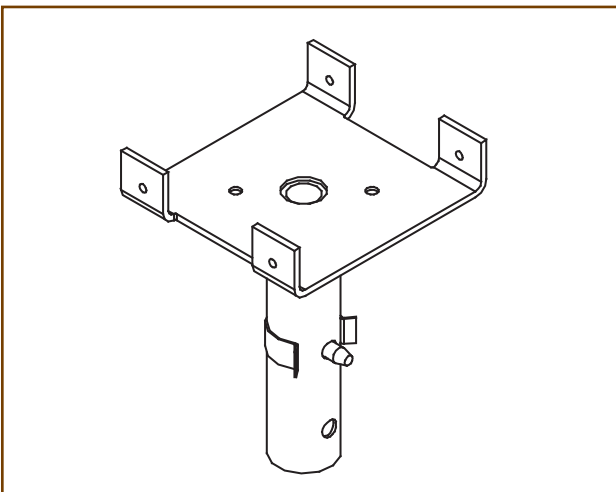


Figure 1 – U-head
(Shown with T-spring bolt, VFTA470804)

Safway Services, LLC
Corporate Headquarters
N19 W24200 Riverwood Drive
Waukesha, WI 53188
Toll free: (800) 558-4772
Telephone: (262) 523-6500

For a list of branch locations in the United States and Canada, visit our website at www.safway.com

©2010 Safway Services, LLC. All rights reserved.

