



Two-Way Screw Jack U-head Product Fact Sheet



Part No. & Description	U88TW Two-Way Screw Jack U-head
Weight	7.6 lbs.

Safway's Two-Way Screw Jack U-head is versatile enough to fit a variety of beam sizes. This product is designed to reduce inventory costs.

Features and Benefits

- **Longevity:** hot-dip galvanized
- **Easier assembly:** attach to screw jack (SJ) using rivet and hair pin (RHPS)
- **Replaces:** U8 and U88
- **Improved design:** position this U-head in two ways: for single beam (butted) or for bypassing beam applications
- **Note:** RHPS not included

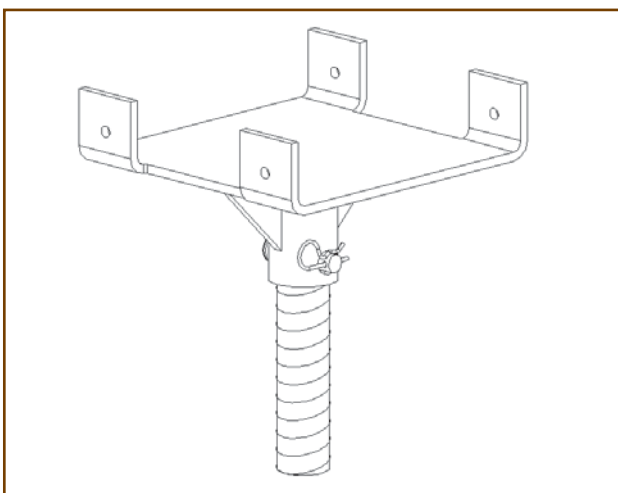


Figure 1 – U-head
(Shown with Rivet & Hair Pin, RHPS)

Safway Services, LLC
Corporate Headquarters
N19 W24200 Riverwood Drive
Waukesha, WI 53188
Toll free: (800) 558-4772
Telephone: (262) 523-6500

For a list of branch locations in the United States and Canada, visit our website at www.safway.com

©2010 Safway Services, LLC. All rights reserved.

